



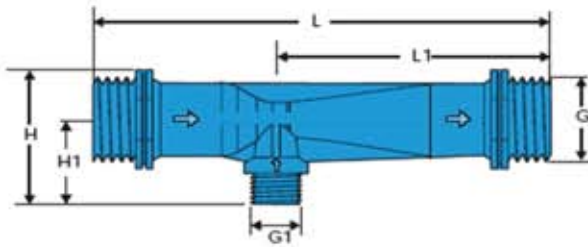
## Applications

- For injecting fertilizers and chemicals into irrigation line without any external power.
- Booster pump may be used during injection time only if necessary.
- Can be safely used in industrial applications.

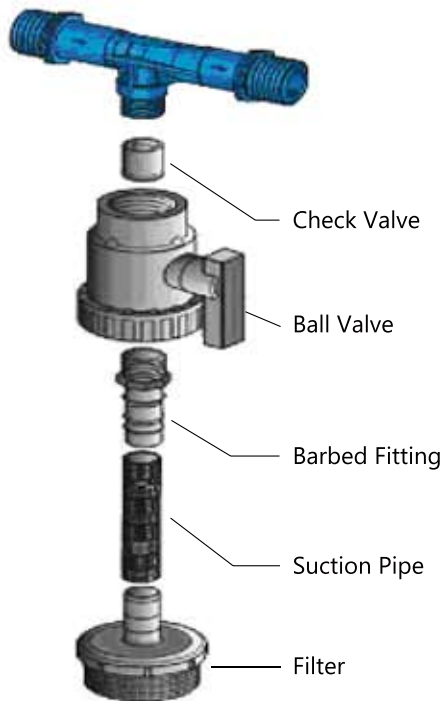
## Features & Benefits

- No moving parts, so no maintenance required.
- Minimal amount of pressure drop for efficient functioning.
- Heavy duty construction to withstand high pressure.
- Made of high quality polypropylene, resistant to most chemicals.
- Sizes 3/4" to 2" to cover wide range of applications.
- Available with or without suction kit.
- Maximum operating pressure: 130 psi ( 9 bars).

**Dimensions**



**Suction Kit- 1 1/2", 2"**



G	G1	L	L1	H	H1
3/4"	1/2"	139	89	63	48
1"	1/2"	168	94	66	48
1 1/4"	3/4"	247	157	74.5	45
1 1/2"	3/4"	278	166	74.5	49
2"	1"	300	180	95	60

Injector Size >		1.5"		2"	
Inlet	Outlet	Inj.	Suction	Inj.	Suction
psi	psi	gpm	gph	gpm	gph
15	4	23	211	63	697
22	11	28	250	70	555
29	15	33	304	82	697
36	18	36	304	87	697
44	22	39	304	98	697
51	25	42	304	107	697
58	33	44	304	111	697
65	40	47	304	115	555
73	44	49	304	124	555
80	51	51	304	124	317
87	54	53	304	129	330
94	58	55	304	136	436
102	69	57	256	143	542
109	73	59	291	144	476
116	80	60	254		
123	83	63	296		
131	91	64	250		