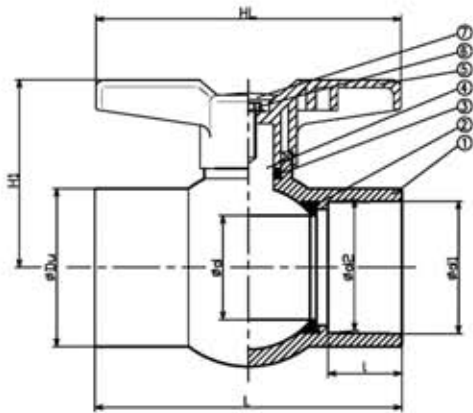




Compact Ball Valve



No.	Part Name	Qty.	Material
1	Body	1	PVC
2	Seat	2	Santoprene®
3	O-Ring	1	EPDM
4	Ball	1	Polypropylene
5	Handle	1	ABS
6	Bolt	1	S1018
7	Handle Cap	1	ABS

Applications

- For closing and opening of lines supplying water and commonly used fluids such as fertilizer and diluted acid solutions.
- Well suited for both hot and cold weather conditions.
- Used as flush/drain valve at the line end.
- NSF compact ball valves (1/2" – 2") are also suitable for pool and plumbing applications.
- Valves available for various flow control applications are: Compact Ball Valves, True Union Ball Valves, Single Union Ball Valves, and Butterfly Valves.

Features & Benefits

- Made of uPVC (*) with additives to provide impact strength and protection from harsh weather.
- These unplasticized valves manufactured in gray color, are highly resistant to UV radiation, stronger and longer lasting than white PVC valves.
- Santoprene® synthetic rubber (EPDM) seats provide outstanding resistance to heat, aqueous solutions of acids, bases and alkalis. EPDM allows perfect seal against polypropylene (PP) ball.
- The PP ball provides high resistance to fatigue and longer life.
- Available in ANSI socket or NPT threaded ends.
- Recommended for pressurized lines up to 150 psi/10 bars (PN10) of operating pressure.

*** All valve bodies in this brochure are made of uPVC.**

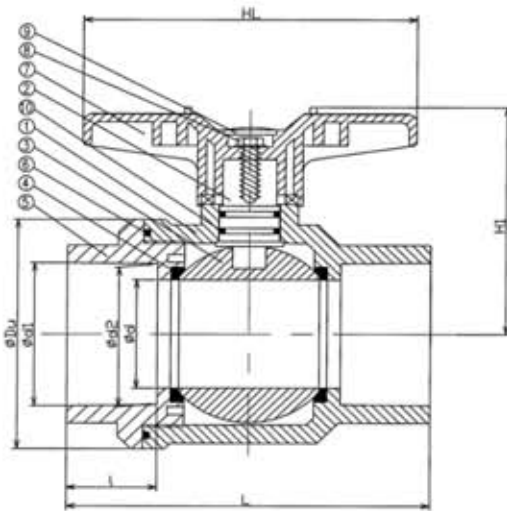
Nominal Diameter	Nominal Pressure	Distance	Inside Diameter	Outside Diameter			
in.	psi	L	ø d	ø Du	l	H1	HL
1/2"	150	3.07	0.59	1.22	0.87	1.85	2.76
3/4"	150	3.54	0.79	1.46	0.98	2.05	3.11
1"	150	4.17	0.94	1.73	1.18	2.56	3.90
1 1/4"	150	4.76	1.17	2.09	1.30	2.76	4.41
1 1/2"	150	5.12	1.33	2.36	1.38	2.91	4.41
2"	150	5.83	1.74	2.99	1.50	3.15	5.43
2 1/2"	150	7.11	2.17	3.54	1.77	4.33	8.03
3"	150	8.07	2.74	4.17	1.95	4.84	8.03
4"	150	9.90	3.54	5.24	2.34	5.91	0.98

Note: All dimensions are in inch.

-Rain® PVC Ball Valves



2 Piece Ball Valve



Features & Benefits

- The 2-piece ball valves require as low as half the torque to turn handle.
- EPDM seats provide outstanding resistance to heat, aqueous solutions of acids, bases and alkalis, as well as create perfect seal against polypropylene ball.
- The PP ball provides high resistance to fatigue and longer life.
- Available in ANSI socket or NPT threaded ends.
- Recommended for pressurized lines up to 150 psi/10 bars (PN10) of operating pressure.

No.	Part Name	Qty.	Material
1	Body	1	PVC
2	Stem	1	PVC
3	Ball	1	Polypropylene
4	Seat	2	EPDM
5	Body Cap	1	PVC
6	O-Ring	1	EPDM
7	Handle	1	ABS
8	Bolt	1	SUS302
9	Handle Cap	1	ABS
10	O-Ring	2	EPDM

Nominal Diameter	Nominal Pressure	Distance	Inside Diameter	Outside Diameter	I	H1	HL
in.	psi	L	ø d	ø Du			
2 1/2"	150	7.68	2.28	5.00	1.93	5.39	8.03
3"	150	8.66	2.68	5.67	2.13	5.71	8.03
4"	150	10.71	3.50	7.17	2.52	6.93	9.80
6"	50	15.75	5.04	9.55	3.90	7.40	10.28

Note: All dimensions are in inch.

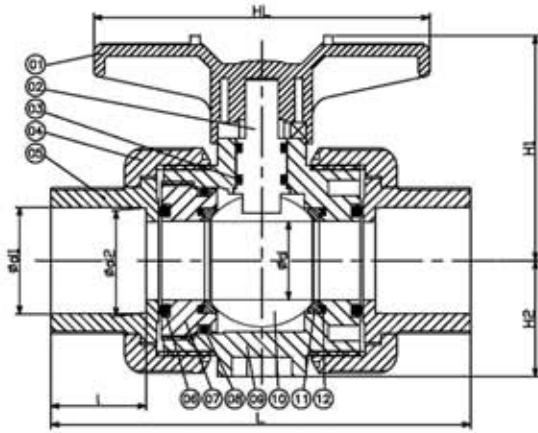


True Union Ball Valve

Features & Benefits

- Full port design causes least head loss through the valve.
- Double unions provide ease of installation and maintenance.
- Teflon® seats have superior resistance to heat, fertilizer and acid solutions, bases and alkalis as well as against aggressive chemicals in commercial applications.
- These seats provide excellent seal on PVC ball.
- Available in ANSI socket or NPT threaded ends.
- Recommended for pressurized lines up to 150 psi/10 bars (PN10) of operating pressure.

-Rain® PVC Ball Valves



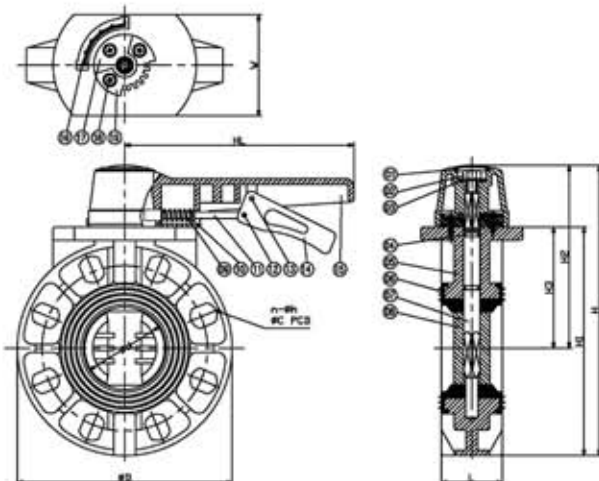
No.	Part Name	Qty.	Material
1	Handle	1	ABS
2	Stem	1	PVC
3	Stem O-Ring	2	EPDM
4	Union Nut	2	PVC
5	Union End	2	PVC
6	End Seal	2	EPDM
7	Spacer	1	PVC
8	Spacer Seal	1	EPDM
9	Body	1	PVC
10	Ball	1	PVC
11	Seat	2	PTFE
12	Seat Seal	2	EPDM

Nominal Diameter	Nominal Pressure	Distance	Inside Diameter	Outside Diameter				
in.	psi	L	ø d	union	H1	H2	HL	I
2	150	7.05	1.97	4.57	4.33	2.15	5.51	1.57
2 1/2"	150	9.49	2.48	5.91	5.67	2.87	8.03	1.76
3"	150	10.67	2.95	6.61	5.94	3.33	8.03	1.76
4"	150	12.72	3.82	8.27	7.09	4.09	9.80	1.93

Note: All dimensions are in inch.



Butterfly Ball Valve



Features & Benefits

- Available with lever handle (2" to 8") and with worm gear wheel (8" to 12") for various applications.
- Lever handle has disk position indicator for estimating and setting flow rates.
- PP gate gives a leak-proof seal against EPDM seat.
- High impact resistant body safely handles continuous operating pressure up to 150 psi/10 bars.

No.	Part Name	Qty.	Material
1	Handle Cap	1	ABS
2	Nut	1	SUS27
3	Washer	1	SUS27
4	O-Ring	2	EPDM
5	Body	1	PVC
6	Seat	1	EPDM
7	Stem	1	SUS410
8	Disc	1	Polypropylene
9	Spring	1	SUS316
10	Spring Lock	1	ABS
11	Handle Lever	1	SUS304
12	Pin	1	SUS27
13	Pin	1	SUS27
14	Small Handle	1	ABS
15	Handle	1	ABS
16	Lever	1	Aluminum
17	Gear Seat	1	ABS
18	Bolt	3	SUS27
19	Lock Plate	1	SUS304

V-Rain® PVC Ball Valves

Butterfly Valve with Handle

Nominal Diameter	Nominal Pressure	Distance	Inside Diameter	Outside Diameter						
in.	psi (at)	L, in.	ø d, in.	ø Du, in.	H, in.	H1, in.	H2, in.	H3, in.	W, in.	HL, in.
3	150	2.28	2.95	7.68	10.35	8.15	6.54	4.33	3.62	8.19
4	150	2.36	3.94	8.86	11.65	9.45	7.20	5.04	3.62	8.19
6	150	2.76	5.63	11.10	14.09	11.73	8.54	6.22	4.33	11.02
8	150	3.11	7.36	13.58	17.72	14.80	10.94	8.03	4.72	11.81

Note: All dimensions are in inch.



Features & Benefits

- Available in larger sizes 8" to 12" for smooth and easy opening and closing.
- PP gate provides leak-proof seal against EPDM seat.
- High impact resistant body safely handles continuous operating pressure up to 150 psi/10 bars.

Butterfly Valve with Gear Wheel

Other PVC Products



Note: Please Contact Valplastic USA for any details on these products.



V-Rain® valves are manufactured under ISO 14001 Corporate Management System requiring measurement and documentation of environmental impact of manufacturing activities. We hope such actions today would bring us a better tomorrow.

Valplastic USA, LLC.
 820 S. Rockefeller Ave., Unit D
 Ontario, CA 91761, U.S.A.
 Tel: (909) 390-9600, (866) 2-VALUSA
 Fax: (909) 390-9604
www.valplasticusa.com